



高效率三相异步电动机

High Efficiency Three Phase Asynchronous Motor

YE3 系列三相异步电动机符合GB18613-2012 中规定的二级能效要求, 以及IEC60034-30-2008 标准的IE3能效等级。

相比于普通电机, 该电机的效率更高, 是节能环保的首选。电机采用先进的设计理念; 成熟、精密的加工工艺; 优质高端的原材料, 具有结构紧凑、能效高、噪声低、振动小、运转平稳可靠、使用寿命长等特点。可广泛应用于风机、水泵、机床、压缩机运输机械等驱动各种通用机械设备。

YE3 series three-phase asynchronous motors meet the level2energy efficiency requirements specified in GB18613-2012,and the IE3 energy efficiency rating of IEC60034-30-2008 standard.

Compared with ordinary motors,the motor hashgherefficiency,which is the first choicefor energysaving and environmentalprotection. The motor adopts advanced design concept;Mature and precise processing technology;Hgh qualityrawmaterials,with many advantages suchas compact structure,high energyefficiency,low noise,low vibration,stable and reliable operation,long service life and so on.As a driving equipment,it is widely used in all kinds of fans,pumps,machine tools and other equipment.

● 技术参数 (Parameters)

型号 Model	额定功率 Rated Power		额定转速 Rated Speed	效率 Efficiency 100%	功率因素 Power Factor	额定电流 Rated Current (A)			额定转矩 Rated Torque (Nm)	堵转转矩 Ts/Tn	最大转矩 Tmax/Tn	堵转电流 Is/In	重量 Weight kg
	kW	HP				380V	400V	415V					
YE3-631-2	0.18	0.24	2735	65.9	0.8	0.5	0.49	0.48	0.63	2.3	2.2	7.0	4.0
YE3-632-2	0.25	0.34	2735	69.7	0.81	0.7	0.64	0.62	0.87	2.3	2.2	7.0	4.0
YE3-711-2	0.37	0.5	2760	73.8	0.81	0.9	0.89	0.86	1.28	2.3	2.2	7.0	6.5
YE3-712-2	0.55	0.75	2760	77.8	0.82	1.3	1.24	1.20	1.90	2.3	2.2	7.0	7.5
YE3-801-2	0.75	1	2880	80.7	0.82	1.7	1.6	1.6	2.49	2.3	2.3	7.0	18.1
YE3-802-2	1.1	1.5	2880	82.7	0.83	2.4	2.3	2.2	3.65	2.2	2.3	7.3	19.5
YE3-90S-2	1.5	2	2895	84.2	0.84	3.2	3.1	3.0	4.95	2.2	2.3	7.6	23.3
YE3-90L-2	2.2	3	2895	85.9	0.85	4.6	4.3	4.2	7.26	2.2	2.3	7.6	27.1
YE3-100L-2	3	4	2895	87.1	0.87	6.0	5.7	5.5	9.9	2.2	2.3	7.8	38.8
YE3-112M-2	4	5.5	2905	88.1	0.88	7.8	7.4	7.2	13.1	2.2	2.3	8.3	48.8
YE3-132S1-2	5.5	7.5	2930	89.2	0.88	10.6	10.1	9.7	17.9	2	2.3	8.3	55.1
YE3-132S2-2	7.5	10	2930	90.1	0.88	14.4	13.7	13.2	24.4	2	2.3	7.9	69.2
YE3-160M1-2	11	15	2945	91.2	0.89	20.6	19.6	18.9	35.7	2	2.3	8.1	113
YE3-160M2-2	15	20	2945	91.9	0.89	27.9	26.5	25.5	48.6	2	2.3	8.1	123
YE3-160L-2	18.5	25	2940	92.4	0.89	34.2	32.5	31.3	60.1	2	2.3	8.2	142
YE3-180M-2	22	30	2955	92.7	0.89	40.5	38.5	37.1	71.1	2	2.3	8.2	182
YE3-200L1-2	30	40	2960	93.3	0.89	54.9	52.1	50.3	96.8	2	2.3	7.6	246
YE3-200L2-2	37	50	2960	93.7	0.89	67.4	64.0	61.7	119.4	2	2.3	7.6	265
YE3-225M-2	45	60	2965	94.0	0.90	80.8	76.8	74.0	144.9	2	2.3	7.7	323
YE3-250M-2	55	75	2970	94.3	0.90	98.5	93.5	90.2	176.9	2	2.3	7.7	413
YE3-280S-2	75	100	2975	94.7	0.90	133.7	127.0	122.4	240.8	1.8	2.3	7.1	546
YE3-280M-2	90	125	2975	95.0	0.90	159.9	151.9	146.4	288.9	1.8	2.3	7.1	569
YE3-315S-2	110	150	2975	95.2	0.90	195.1	185.3	178.6	352.8	1.8	2.3	7.1	897
YE3-315M-2	132	180	2978	95.4	0.90	233.6	221.9	213.9	423.3	1.8	2.3	7.1	1029
YE3-315L1-2	160	200	2978	95.6	0.91	279.4	265.5	255.9	512.8	1.8	2.3	7.2	1067
YE3-315L2-2	200	270	2980	95.8	0.91	348.6	331.1	319.2	640.9	1.8	2.2	7.2	1194
YE3-355M-2	250	340	2980	95.8	0.91	435.7	413.9	399.0	800.6	1.6	2.2	7.2	1685
YE3-355L-2	315	430	2982	95.8	0.91	549.0	521.5	502.7	1009	1.6	2.2	7.2	1734

● 技术参数 (Parameters)

型号 Model	额定功率 Rated Power		额定 转速 Rated Speed	效率 Efficiency 100%	功率因素 Power Factor	额定电流 Rated Current (A)			额定转矩 Rated Torque (NM)	堵转转矩 定转 Ts/Tn	最大转矩 Tmax/Tn	堵转电流 额定电 s/r	重量 Weight Kg
	kW	HP				380V	400v	415V					
YE3-631-4	0.12	016	1330	64.8	0.72	0.4	0.37	0.36	0.86	2.1	2.2	6.6	4.0
YE3-632-4	0.18	0.24	1330	69.9	0.73	0.5	0.51	0.49	1.29	2.1	2.2	6.6	4.5
YE3-711-4	0.25	0.34	1350	73.5	0.74	0.7	0.66	0.64	1.77	2.1	2.2	6.6	6.5
YE3-712-4	0.37	0.5	1350	77.3	0.75	1.0	0.92	0.89	2.62	2.1	2.2	6.6	7.5
YE3-801-4	0.55	0.75	1400	80.8	0.75	1.4	1.3	1.3	3.75	2.4	2.3	5.2	17.6
YE3-802-4	0.75	1	1420	82.5	0.75	1.8	1.7	1.7	5.04	2.3	2.3	5.6	18.4
YE3-90S-4	1.1	1.5	1445	84.1	0.76	2.6	2.5	2.4	7.27	2.3	2.3	6.6	24.2
YE3-90L-4	1.5	2	1445	85.3	0.77	3.5	3.3	3.2	9.91	2.3	2.3	6.8	29.7
YE3-100L1-4	2.2	3	1435	86.7	0.81	4.8	4.5	4.4	14.6	2.3	2.3	7	41.5
YE3-100L2-4		4	1435	87.7	0.82	6.3	6.0	5.8	20	2.3	2.3	7.6	46
YE3-112M-4	4	5.5	1440	88.6	0.82	8.4	7.9	7.7	26.5	2.2	2.3	7.6	63.2
YE3-132S-4	5.5	7.5	1460	89.6	0.83	11.2	10.7	10.3	36	2	2.3	7.8	71.2
YE3-132M-4	7.5	10	1460	90.4	0.84	15.0	14.3	13.7	49.1	2	2.3	7.8	85.1
YE3-160M-4	11	15	1465	91.4	0.85	21.5	20.4	19.7	71.7	2.2	2.3	7.9	121
YE3-160L-4	15	20	1465	92.1	0.86	28.8	27.3	26.3	97.8	2.2	2.3	7.5	142
YE3-180M-4	18.5	25	1470	92.6	0.86	35.3	33.5	32.3	120.2	2	2.3	7.8	181
YE3-180L-4	22	30	1470	93.0	0.86	41.8	39.7	38.3	142.9	2	2.3	7.8	209
YE3-200L-4	30	40	1475	93.6	0.86	56.6	53.8	51.9	194.2	2	2.3	7.8	284
YE3-225S-4	37	50	1485	93.9	0.86	69.6	66.1	63.7	237.9	2	2.3	7.8	328
YE3-225M-4	45	60	1485	94.2	0.86	84.4	80.2	77.3	289.4	2	2.3	7.3	363
YE3-250M-4	55	75	1485	94.6	0.86	102.7	97.6	94.1	353.7	2.2	2.3	7.4	442
YE3-280S-4	75	100	1486	95.0	0.88	136.3	129.5	124.8	482	2	2.3	7.4	569
YE3-280M-4	90	125	1486	95.2	0.88	163.2	155.1	149.5	578	2	2.3	7.4	639
YE3-315S-4	110	150	1488	95.4	0.89	196.8	187.0	180.2	706	2	2.2	6.9	939
YE3-315M-4	132	180	1488	95.6	0.89	235.7	223.9	215.8	847.2	2	2.2	6.9	1033
YE3-315L1-4	160	200	1488	95.8	0.89	285.1	270.9	261.1	1027	2	2.2	7	1126
YE3-355L2-4	200	270	1490	96.0	0.90	315.7	334.1	322.0	1282	2	2.2	7	1238
YE3-355M-4	250	340	1490	96.0	0.90	439.6	417.7	402.6	1602	2	2.2	7.1	1830
YE3-355L-4	315	430	1490	96.0	0.90	553.9	526.2	507.2	2019	2	2.2	7.1	1950

● 技术参数 (Parameters)

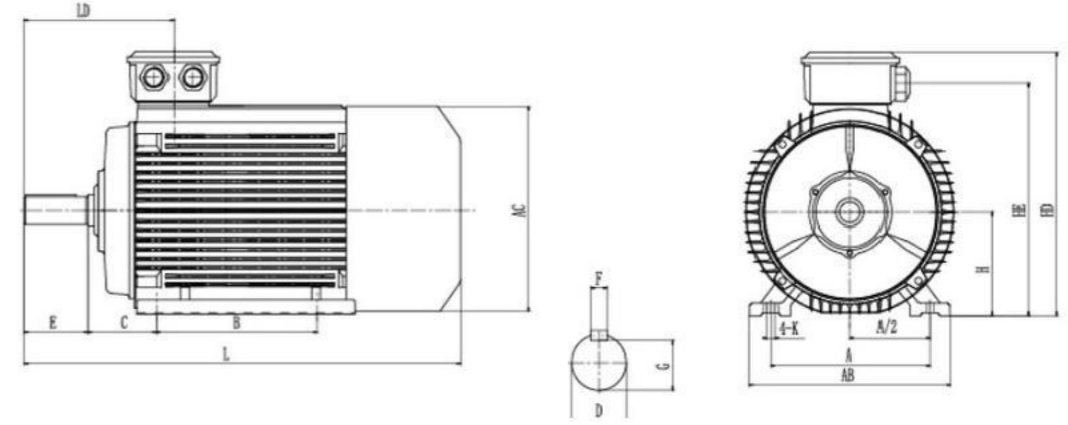
型号 Model	额定功率 Rated Power		额定 转速 Rated Sp	效率 Efficiency 100%	功率因素 Power Factor	额定电流 Rated Current (A)			额定转矩 Rated Torque (NM)	堵转转矩 1S/n	最大转矩 Tmax/Tn	堵转电流 s/In	重量 Weight Kg
	kW	HP				380V	400v	415V					
YE3-711-6	0.18	0.24	860	63.9	0.66	0.6	0.62	0.59	2.00	1.9	1.9	6.0	6.0
YE3-712-6	0.25	0.34	860	68.6	0.68	0.8	0.77	0.75	2.78	1.9	1.9	6.0	7.5
YE3-801-6	0.37	0.5	890	62.0	0.70	1.3	1.2	1.2	3.97	1.9	2	4.7	15.2
YE3-802-6	0.55	0.75	890	73.6	0.72	1.6	1.5	1.4	5.9	1.9	2.1	4.7	16.6
YE3-90S-6	0.75		935	78.9	0.72	2.0	1.9	1.8	7.66	2	2.1	6	24.1
YE3-90L-6	1.1	1.5	945	81.0	0.73	2.8	2.7	2.6	11.1	2	2.1	6	25.7
YE3-100L-6	1.5	2	949	82.5	0.74	3.7	3.5	3.4	15.1	2	2.1	6.5	34.9
YE3-112M-6	2.2	3	955	84.3	0.74	5.4	5.1	4.9	22	2	2.1	6.6	54.2
YE3-132S-6	3	4	968	85.6	0.74	7.2	6.8	6.6	29.6	2	2.1	6.8	62.3
YE3-132M1-6	4	5.5	968	86.8	0.74	9.5	9.0	8.7	39.5	2	2.1	6.8	75.2
YE3-132M2-6	5.5	7.5	968	88.0	0.75	12.7	12.0	11.6	54.3	2	2.1	7	82.3
YE3-160M-6	7.5	10	970	89.1	0.79	16.2	15.4	14.8	73.8	2	2.1	7	112
YE3-160L-6	11	15	970	90.3	0.80	23.1	22.0	21.2	108.3	2	2.1	7.2	134
YE3-180L-6	15	20	978	91.2	0.81	30.9	29.3	28.2	146.5	2	2.1	7.3	197
YE3-200L1-6	18.5	25	980	91.7	0.81	37.8	36.0	34.7	180.3	2	2.1	7.3	234
YE3-200L2-6	22	30	980	92.2	0.81	44.8	42.5	41.0	214.4	2	2.1	7.4	251
YE3-225M-6	30	40	980	92.9	0.83	59.1	56.2	54.1	292.3	2	2.1	6.9	308
YE3-250M-6	37	50	985	93.3	0.84	71.7	68.1	65.7	358.7	2	2.1	7.1	383
YE3-280S-6	45	60	985	93.7	0.85	85.8	81.6	78.6	436.3	2	2	7.3	501
YE3-280M-6	55	75	985	94.1	0.86	103.3	98.1	94.6	533.2	2	2	7.3	573
YE3-315S-6	75	100	985	94.6	0.84	143.4	136.2	131.3	727.2	2	2	6.6	843
YE3-315M-6	90	125	988	94.9	0.85	169.5	161.0	155.2	869.9	2	2	6.7	941
YE3-315L1-6	110	150	988	95.1	0.85	206.8	196.4	189.3	1063	2	2	6.7	1017
YE3-315L2-6	132	180	988	95.4	0.86	244.5	232.2	223.8	1276	2	2	6.8	1121
YE3-355M1-6	160	200	990	95.6	0.86	295.7	280.9	270.7	1543	1.8	2	6.8	1715
YE3-355M2-6	200	270	990	95.8	0.87	364.6	346.4	333.8	1929	1.8	2	6.8	1846
YE3-355L-6	250	340	990	95.8	0.87	455.7	433.0	417.3	2412	1.8	2	6.8	2085

● 技术参数 (Parameters)

型号 Model	额定功率 Rated Power		额定 功率 Ra ed Speed	效率 Efficiency 100%	功率 Power Factor	额定电流 Rated Current (A)			额定转矩 Rated orque (NM)	堵转转矩 堵转转矩 Ts/Tn	最大转矩 最大转矩 Tmax/Tn	堵转电流 堵转电流 Is/In	重量 Weight kg
	kW	HP				380V	400V	415V					
YE3-801-8	0.18	0.25	650	51.0	0.61	0.9	0.8	0.8	2.64	1.8	1.9	3.3	14.5
YE3-802-8	0.25	0.37	650	54.0	0.61	1.2	1.1	1.1	3.67	1.8	1.9	3.3	16.7
YE3-90S-8	0.37	0.5	675	62.0	0.61	1.5	1.4	1.4	5.23	1.8	1.9	4	28.2
YE3-90L-8	0.55	0.75	675	63.0	0.61	2.2	2.1	2.0	7.78	1.8	2	4	29.7
YE3-100L1-8	0.75	1	685	68.7	0.67	2.5	2.4	2.3	10.5	1.8	2	4	40
YE3-100L2-8	1.1	1.5	685	70.7	0.67	3.5	3.4	3.2	15.3	1.8	2	5	41.4
YE3-112M-8	1.5	2	695	72.8	0.71	4.4	4.2	4.0	20.6	1.8	2	5	57.5
YE3-132S-8	2.2	3	710	77.9	0.71	6.0	5.7	5.5	29.6	1.8	2	6	74.8
YE3-132M-8		4	710	78.9	0.73	7.9	7.5	7.2	40.4	1.8	2	6	89.1
YE3-160M1-8	4	5.5	725	79.9	0.73	10.4	9.9	9.5	52.7	1.9	2	6	101
YE3-160M2-8	5.5	7.5	725	82.0	0.74	13.8	13.1	12.6	72.4	1.9	2	6	126.5
YE3-160L-8	7.5	10	725	84.0	0.75	18.1	17.2	16.6	98.8	1.9	2	6	136
YE3-180L-8	11	15	735	86.4	0.75	25.8	24.5	23.6	142.9	2	2	6.5	198
YE3-200L-8	15	20	730	86.9	0.76	34.5	32.8	31.6	196.2	2	2	6.6	234
YE3-225S-8	18.5	25	730	89.1	0.76	41.5	39.4	38.0	242	1.9	2	6.6	284
YE3-225M-8	22	30	730	89.6	0.78	47.8	45.4	43.8	287.8	1.9	2	6.6	325
YE3-250M-8	30	40	735	90.4	0.79	63.8	60.6	58.4	389.8	1.9	2	6.5	425
YE3-280S-8	37	50	735	90.9	0.79	78.3	74.4	71.7	480.7	1.9	2	6.6	518
YE3-280M-8	45	60	735	91.4	0.79	94.7	90.0	86.7	584.7	1.9	2	6.6	582
YE3-315S-8	55	75	735	92.3	0.80	113.2	107.5	103.6	714.6	1.8		6.6	852
YE3-315M-8	75	100	735	93.2	0.80	152.8	145.2	139.9	974.5	1.8	2	6.2	952
YE3-315L1-8	90	125	735	93.5	0.80	182.8	173.7	167.4	1169	1.8	2	6.4	1040
YE3-315L2-8	110	150	735	93.5	0.82	218	207.1	199.6	1429	1.8	2	6.4	1056
YE3-355M1-8	132	180	740	93.8	0.82	260.8	247.7	238.8	1704	1.8	2	6.4	1784
YE3-355M2-8	160	200	740	94.0	0.82	315.4	299.6	288.8	2065	1.8	2	6.4	1941
YE3-355L-8	200	270	740	94.2	0.83	388.7	369.2	355.9	2581	1.8	2	6.4	2026

● 外形安装尺寸图数据 (B3)

Figure data of external mounting dimensions(B3)



机座号 Frame	极数 Pole	安装尺寸 Mounting Dimensions											外形尺寸 Mounting Dimensions						
		A/2	B	C	D	E	F	G	H	K	AB	AC	LD	L	HE	HD			
63M	2, 4	100	50		40	11	23		8.5	63			135	130	90	230	53	180	
71M	2, 4, 6	12			45		30		11	71			150	145	100	255	68	195	
80M	2, 4	25	52.5	100	50	19	40		15.5	80				155	12	284	85	217	
OS		140	70	125	56	24	50		20	90	10		176	175	125	313	209	245	
OL																	383		
100L		160	80	140	63		60			100	12		200	195	139	434.5	233	269	
112M		190	95		70		28	60		112			226	219	142.5	394	263.5	304	
132S	2, 4	216	108	178	89	38	80		10	33	132		262	258	175	510	303	344	
132M																550			
160M			254	127	210	108	42		110	12	37	160	14.5	314	315	256.5	610	373	420
160L					254												554		
180M			279	139.5	241	121	48			14	42.5	180		349	355	272	687	410	457
180L					279												725		
200L			318	159	305	133				16		200		388	397	297	771	450	508
225S				286			40	18								328	80		
225M		356	178	311	149		10	16			225	18.5	431	445		298	497	556	
																328	334		
250M		406	203	349	168	60			18	53			484	484	346.5	909	552	617	
						65	140			58									
280S									20	67.5									
280M		457	228.5	368	190	65			18	58			542	547	356	970	610	675	
				419							280	24				1021			
315S																397	1198		
																427	1228		
315M		508	254	457	216						315	28	628	620		397	308	755.5	848
																427	1338		
315L				508		65	40	18	58							397	1308		
						80	70	22	71							427	1338		
355M						75	40	20	67.5							424	1511		
						95	170	25	86							454	1541		
355L		610	305	560	254	75	40	20	67.5		355	28	726	698		424	1511	901	997
				630		95	70	25	86							454	1541		

Changzhou Yongzhuan Motor Co., LTD

Wechat / Cell / WhatsApp: +86-15861132046

E-Mail: rylee@vmttech.com

Add: No.70 Chenyang, Jiase Wujin Changzhou City, Jiangsu Province, China

Zip Code: 213153

Website: <https://www.victory-motor.com/>